

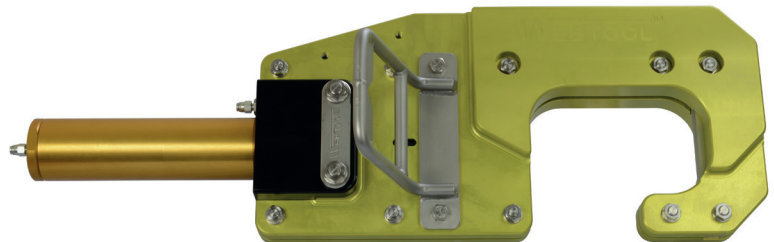
Key Features:

- Heavy duty hydraulically operated soft and fibre line cutting tool
- Lightweight aluminium and stainless steel construction
- Diver or ROV operable design
- Quick and efficient operation
- Long blade life ensures that tool maintenance is kept to a minimum

Webtool™ SL135

Cutters and Grinders

The SL135 softline cutter is a double acting tool suitable for cutting softlines and ropes up to 127mm (5") in diameter. It requires a dual line hydraulic supply for operation and is suitable for use subsea.



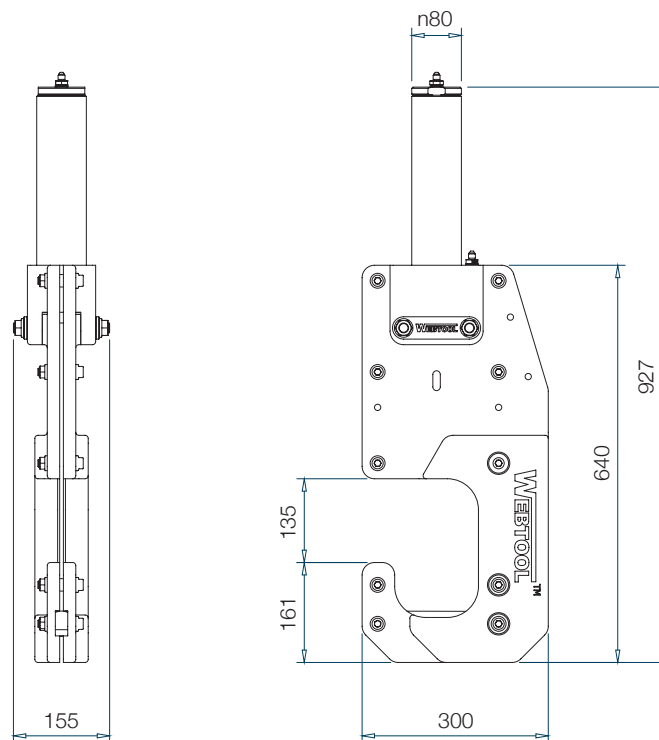
Webtool™ SL135

Cutters and Grinders



Specifications

Dimensions	Length	927mm
	Width	300mm
Weight	Weight in air	34Kg
	Weight in water	24Kg
Hydraulics	Max operating pressure	690 Bar
Cutting capacity	Maximum Ø127mm fibre rope	



System Components

127mm hydraulic cutter		
Operating manual		
Transit case		
Spare blade		