

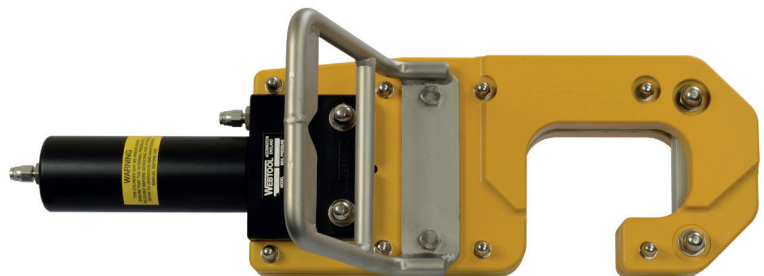
## Key Features:

- Heavy duty hydraulically operated soft and fibre line cutting tool
- Lightweight aluminium and stainless steel construction
- Diver or ROV operable design
- Quick and efficient operation
- Long blade life ensures that tool maintenance is kept to a minimum

## Webtool™ SL80

### Cutters and Grinders

The SL80 softline cutter is a double acting tool suitable for cutting softlines and dyneema /aramid ropes up to 80mm (3 1/8") diameter.



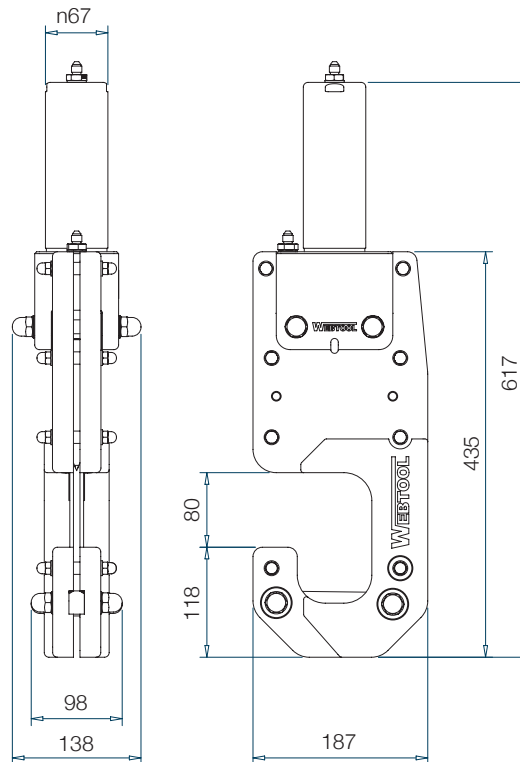
# Webtool™ SL80

Cutters and Grinders



## Specifications

Dimensions	Length	617mm
	Width	187mm
Weight	Weight in air	15Kg
	Weight in water	10.5Kg
Hydraulics	Max operating pressure	690 Bar
Cutting capacity	Maximum Ø80mm fibre rope	



## System Components

80mm hydraulic cutter		
Operating manual		
Transit case		
Spare blade		