

## Datasheet

# Compatt 5 Wideband Transponder - Midi



### Description

Faster set up and calibration, greater equipment utilisation and reduced risk. These are just some of the cost saving benefits of the latest range of Compatt 5 Wideband transponders from Sonardyne.

All Medium Frequency Compatt 5s now incorporate Wideband Technology which uses advanced digital signalling techniques to dramatically improve the performance of acoustic positioning, navigation and telemetry systems.

The faster and more rugged wideband telemetry scheme supported by Compatt 5, enables baseline measurement and calibration data to be acquired faster and more reliably, allowing users to begin work sooner.

When size is an operational factor, the Compatt 5 Midi offers all the functionality and performance of standard-sized Compatt but in a shorter housing that can be easily deployed by ROV.

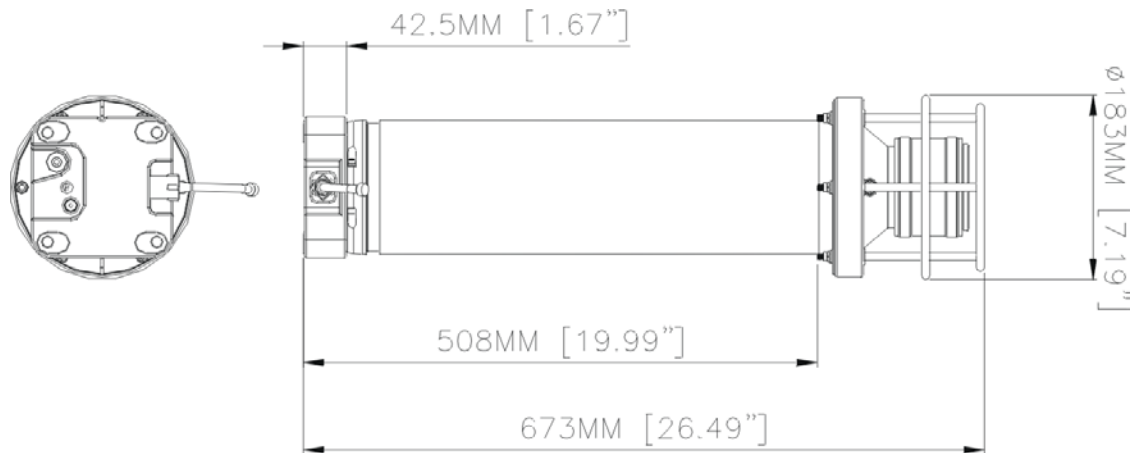
Available with Omni Directional and Directional transducers for deep water high noise applications, options for the Compatt 5 Midi also include a flat, square inclinometer endcap for accurate alignment on subsea structures. For the first time, Compatt 5 endcaps also now have the option of a combined sound velocity and acoustic release mechanism.

### Key Features

- Omni or Directional transducers
- MF operating frequency
- Depth rated to 3000 Metres (Options for 5000 Metres and 7000 Metres)
- Incorporates Sonardyne's latest Wideband Technology
- Multiple operating modes; tone burst and wideband
- Optional high accuracy flat inclinometer endcap for accurate alignment on structures
- Hundreds of operating channels allowing truly independent acoustic operations
- Offers integrated positioning and telemetry
- Release or Non-Release endcaps
- Compact design for easy ROV deployment
- Faster remote tracking of seabed structures
- Easy to upgrade
- Standard Sensors - depth and temperature
- Optional Sensors - Paroscientific DigiQuartz pressure sensor, Inclinometer and Sound Velocity sensors

# Specifications

## Compatt 5 Wideband Transponder - Midi



Feature	Type 8003	Type 8000
Depth Rating	3,000 Metres	3,000Metres
Operating Frequency	MF (18–36kHz)	MF (18–36kHz)
Transducer Beamshape	Directional	Omni-Directional
Transmit Source Level (dB re 1µPa @ 1m)	190-202dB (3 Levels)	185-192dB (3 Levels)
Receive Sensivity (dB re 1µPa)	80-120dB (4 Levels)	90-120dB (4 Levels)
Relative Positioning Accuracy*	±5cm	±5cm
Number of Unique Addresses (Wideband)	224	224
Number of Unique Addresses (Tone)	All Sonardyne/Simrad	All Sonardyne/Simrad
Battery Life (Listening, Disabled)	417 days (Lithium)	417 days (Lithium)
Safe Working Load (4:1)	250kg	250kg
Dimensions (LxDia)	755mm x 135mm	784mm x 135mm
Weight In Air	14.8kg	14.8kg
Weight in Water	6.8kg	6.8kg

### Endcap Sensors and Options

Temperature (±0.1°C)	Standard	Standard
Tilt Switch (±30-45°)	Standard	Standard
Strain Gauge Pressure Sensor (±0.1%)	Standard	Standard
High Precision Strain Gauge (±0.01%)	Optional	Optional
Presens or Keller		
Paroscientific DigiQuartz Pressure Sensor 1350m, 2000m, 3000m (±0.01%)	Optional	Optional
High Accuracy Inclinometer Range: ±90°, Accuracy: ±0.05° over 0 - ±15°; ±0.2° over 0 - ±45°	Optional	Optional
Sound Velocity	Optional	Optional
Release Mechanism	Optional	Optional
Power for External Sensors	Standard	Standard
Gyro Input	Standard	Standard

\*Depends on knowledge of sound speed